

## TE 645 3D

for unrebated high performance heavy-duty doors



### Product features

- completely concealed hinge system
- for timber, steel or aluminium frames
- for unrebated high performance heavy-duty doors
- sideways closed hinge body for a homogeneous mortise appearance
- with comfortable 3D adjustment (side +/- 3,0 mm, height +/- 3,0 mm, compression +/- 1,0 mm)
- maintenance-free slide bearings

### Technical data

Property	Value
Load capacity	300,0 kg
Width (door part)	34,0 mm
Length (door part)	260,0 mm
Width (frame part)	36,0 mm
Length (frame part)	280,0 mm
Cutter diameter	24,0 mm
Collar ring diameter	30,0 mm
Opening Angle	180°

### Quality marks



Certification CE



Certification IFT

### Classification key

4	7	7	1 <sup>-1</sup>	1	— <sup>-2</sup>	1	14
---	---	---	-----------------	---	-----------------	---	----

<sup>\*1</sup> Test evidence for functional doors to be achieved with full door sets and assemblies.

<sup>\*2</sup> depending on the finish

## TECTUS - TE 645 3D

### Notes

The load capacity mentioned above refers to two hinges per door leaf (1 x 2 m). Also the load capacities of the respective combined receiver have to be taken into consideration. For detailed information please look at the chapter "technical information".

Application on steel frames is subject to special frame facings.

With an opening position of 180° the door may have to be fixed additionally.

### Installation tools

Universal milling frame long

Template 5 250945 5

Template 5 250946 5

Template 5 250947 5

Template 5 250948 5

frame, step 1

frame, step 2

door, step 1

door, step 2

### Combinations

TE 645 3D SZ

TE 645 3D ST

### Function range



burglar resistance



fire resistance



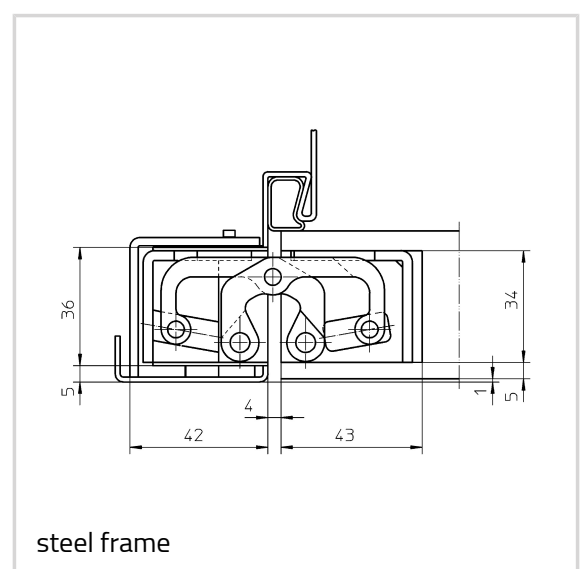
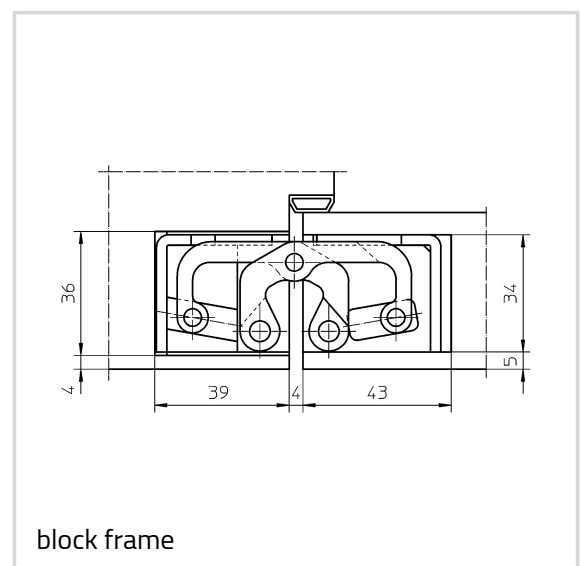
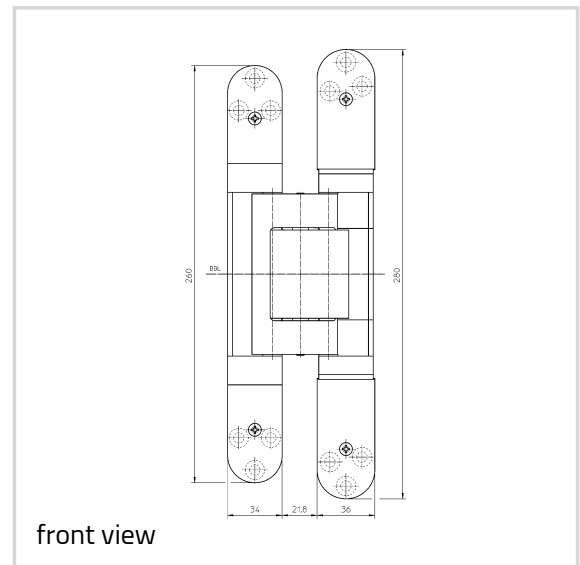
smoke resistance



soundproof

### Item versions

Finish	satin brassed (047)
OF-No.	47
VPE	pack of 2
DIN	DIN right and left hand



**TECTUS - TE 645 3D**

Article number	5 400634 0 04702
EAN	4015471130831
Finish	RAL 9005 Matte Black (107)
OF-No.	107
VPE	pack of 2
DIN	DIN right and left hand
Article number	5 400634 0 10702
EAN	4015471130848
Finish	Satin Chrome Look (F1) (124)
OF-No.	124
VPE	pack of 2
DIN	DIN right and left hand
Article number	5 400634 0 12402
EAN	4015471110741
Finish	Satin Nickel Look (F2) (125)
OF-No.	125
VPE	pack of 2
DIN	DIN right and left hand
Article number	5 400634 0 12502
EAN	4015471119386
Finish	Stainless Steel Look (SSL) (126)
OF-No.	126
VPE	pack of 2
DIN	DIN right and left hand
Article number	5 400634 0 12602
EAN	4015471110758