

TE 540 3D

for unrebated heavy-duty doors



Product features

- completely concealed hinge system
- for timber, steel or aluminium frames
- for unrebated heavy-duty doors
- sideways closed hinge body for a homogeneous mortise appearance
- with comfortable 3D adjustment (side +/- 3,0 mm, height +/- 3,0 mm, compression +/- 1,0 mm)
- maintenance-free slide bearings

Technical data

Property	Value
Load capacity	120,0 kg
Overall length	200,0 mm
Width (door part)	32,0 mm
Width (frame part)	32,0 mm
Cutter diameter	24,0 mm
Collar ring diameter	30,0 mm
Opening Angle	180°

Notes

Quality marks



Certification CE



Certification IFT



Certification UL

warringtonfire

Certification Warringtonfire

Classification key

4	7	6	1 ^{*1}	1	— ^{*2}	1	13
---	---	---	-----------------	---	-----------------	---	----

*¹ Test evidence for functional doors to be achieved with full door sets and assemblies.

*² depending on the finish

TECTUS - TE 540 3D

The load capacity mentioned above refers to the use of 2 hinges per door leaf (1 x 2 m), for detailed information please look at the chapter "technical information".

With an opening position of 180° the door may have to be fixed additionally.

Installation tools

Universal milling frame

Template 5 250680 5

Template 5 250681 5

step 1

step 2

Combinations

TE 540 3D FZ

TE 540 3D SZ

TE 540 3D ST

Function range



burglar resistance



fire resistance



smoke resistance

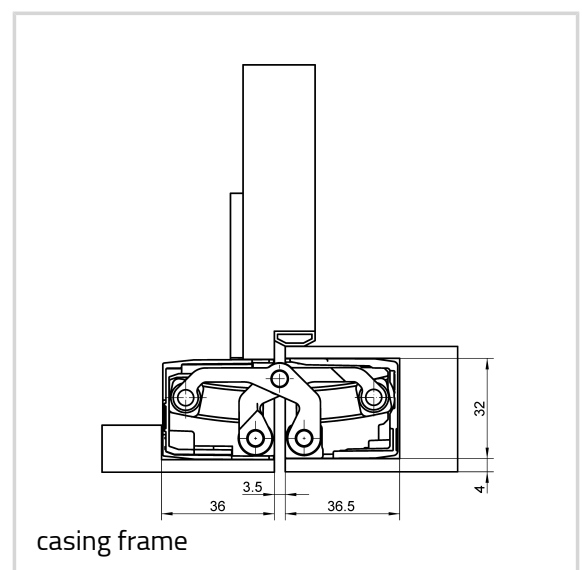
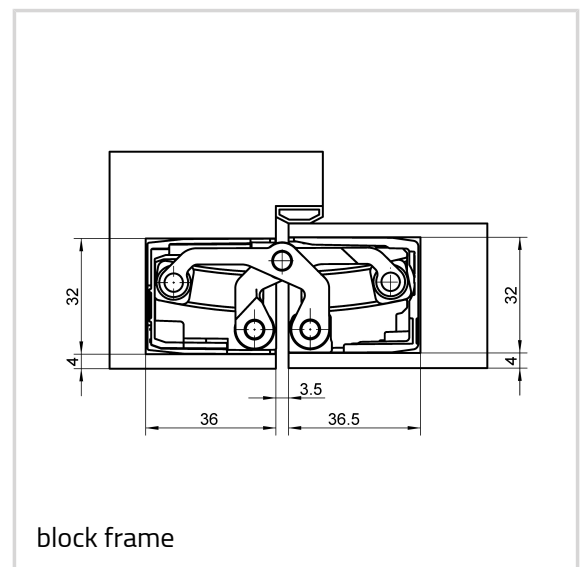
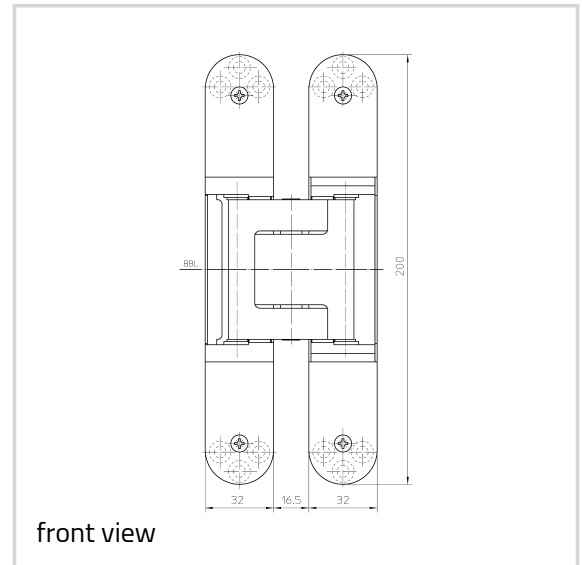


soundproof

Item versions

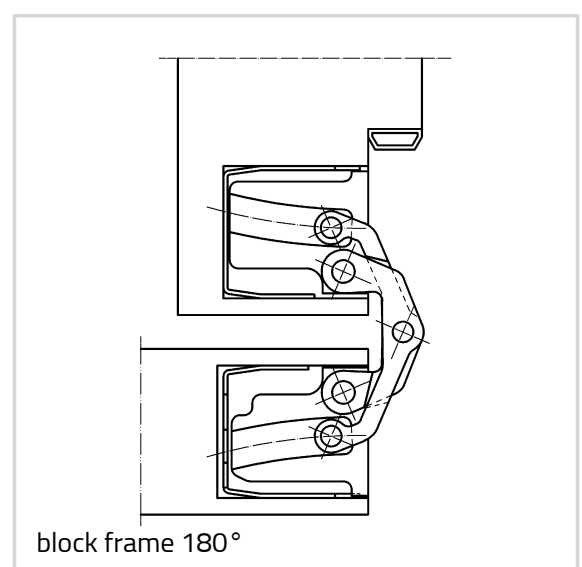
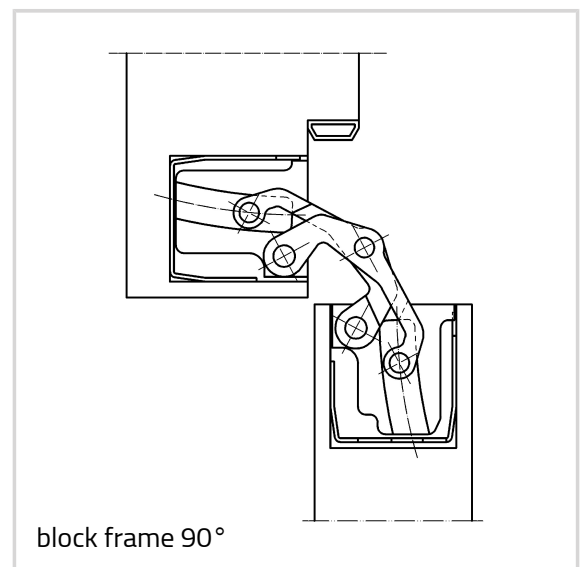
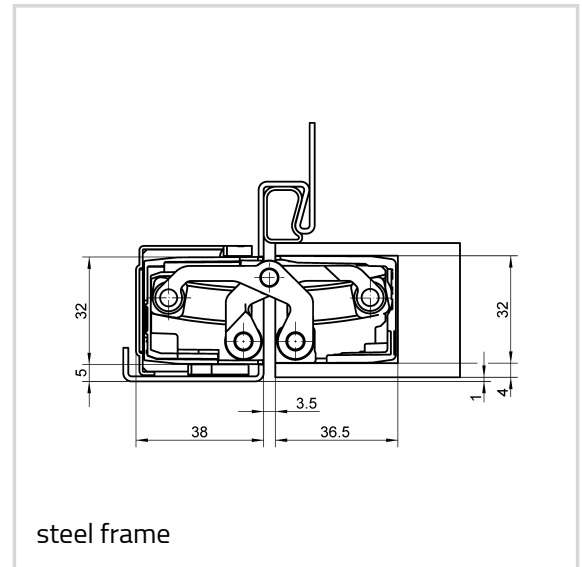
Finish	polished brass (030)
OF-No.	030
VPE	pack of 2
DIN	DIN right and left hand
Article number	5 400687 0 03002
EAN	4015471126162

Finish	polished nickelled (038)
OF-No.	038
VPE	pack of 2
DIN	DIN right and left hand



TECTUS - TE 540 3D

Article number	5 400687 0 03802
EAN	4015471126179
Finish	satin brassed (047)
OF-No.	47
VPE	pack of 2
DIN	DIN right and left hand
Article number	5 400687 0 04702
EAN	4015471131814
Finish	RAL 9016 Traffic White (070)
OF-No.	070
VPE	pack of 2
DIN	DIN right and left hand
Article number	5 400687 0 07002
EAN	4015471126131
Finish	RAL 9005 Matte Black (107)
OF-No.	107
VPE	pack of 2
DIN	DIN right and left hand
Article number	5 400687 0 10702
EAN	4015471126094
Finish	Satin Chrome Look (F1) (124)
OF-No.	124
VPE	pack of 2
DIN	DIN right and left hand
Article number	5 400687 0 12402
EAN	4015471125554
Finish	Satin Nickel Look (F2) (125)
OF-No.	125
VPE	pack of 2
DIN	DIN right and left hand
Article number	5 400687 0 12502
EAN	4015471126070
Finish	Stainless Steel Look (SSL) (126)
OF-No.	126
VPE	pack of 2



TECTUS - TE 540 3D

DIN	DIN right and left hand
Article number	5 400687 0 12602
EAN	4015471126209
Finish	Satin Nickel (144)
OF-No.	144
VPE	pack of 2
DIN	DIN right and left hand
Article number	5 400687 0 14402
EAN	4015471126254
Finish	Satin Chrome (146)
OF-No.	146
VPE	pack of 2
DIN	DIN right and left hand
Article number	5 400687 0 14602
EAN	4015471126261
Finish	Rustic Umber (156)
OF-No.	156
VPE	pack of 2
DIN	DIN right and left hand
Article number	5 400687 0 15602
EAN	4015471126148
Finish	Bronze Metallic (168)
OF-No.	168
VPE	pack of 2
DIN	DIN right and left hand
Article number	5 400687 0 16802
EAN	4015471126155
Finish	Bronze Finish (174)
OF-No.	174
VPE	pack of 2
DIN	DIN right and left hand
Article number	5 400687 0 17402
EAN	4015471126223
Finish	Bronze Finish light (175)
OF-No.	175
VPE	pack of 2
DIN	DIN right and left hand
Article number	5 400687 0 17502

TECTUS - TE 540 3D

EAN	4015471126230
Finish	Bronze Finish dark (176)
OF-No.	176
VPE	pack of 2
DIN	DIN right and left hand
Article number	5 400687 0 17602
EAN	4015471126247
Finish	coloured (079)
OF-No.	079
VPE	EUR-pallet
DIN	DIN right and left hand
Article number	5 400687 0 07975
EAN	4015471126124