

TE 640 3D

for unrebated high performance heavy-duty doors



Product features

- completely concealed hinge system
- for timber, steel or aluminium frames
- for unrebated high performance heavy-duty doors
- sideways closed hinge body for a homogeneous mortise appearance
- with comfortable 3D adjustment (side +/- 3,0 mm, height +/- 3,0 mm, compression +/- 1,0 mm)
- maintenance-free slide bearings

Technical data

Property	Value
Load capacity	200,0 kg
Overall length	240,0 mm
Width (door part)	32,0 mm
Width (frame part)	32,0 mm
Cutter diameter	24,0 mm
Collar ring diameter	30,0 mm
Opening Angle	180°

Notes

Quality marks



Certification CE



Certification IFT



Certification UL

Classification key

4	7	7	1 ^{*1}	1	— ^{*2}	1	14
---	---	---	-----------------	---	-----------------	---	----

^{*1} Test evidence for functional doors to be achieved with full door sets and assemblies.

^{*2} depending on the finish

TECTUS - TE 640 3D

The load capacity mentioned above refers to two hinges per door leaf (1 x 2 m). Also the load capacities of the respective combined receiver have to be taken into consideration. For detailed information please look at the chapter "technical information".

With an opening position of 180° the door may have to be fixed additionally.

Installation tools

Universal milling frame

Template 5 250659 5

Template 5 250689 5

step 1

step 2

Combinations

TE 640 3D FZ

TE 640 3D BW/16

TE 640 3D BW/20

TE 640 3D SZ

TE 640 3D ST

Function range



burglar resistance



fire resistance



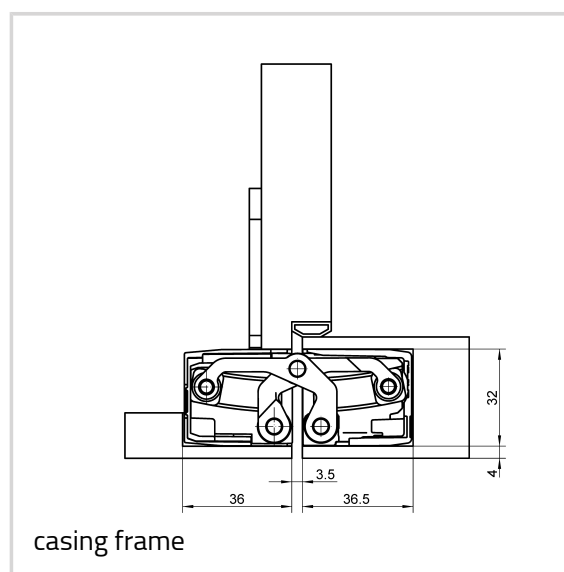
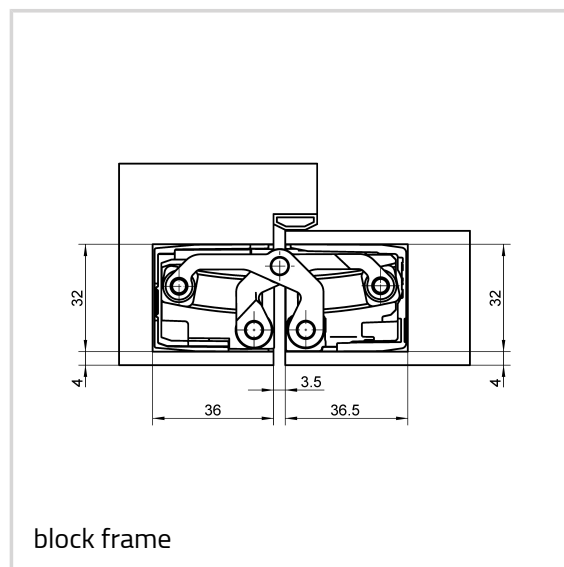
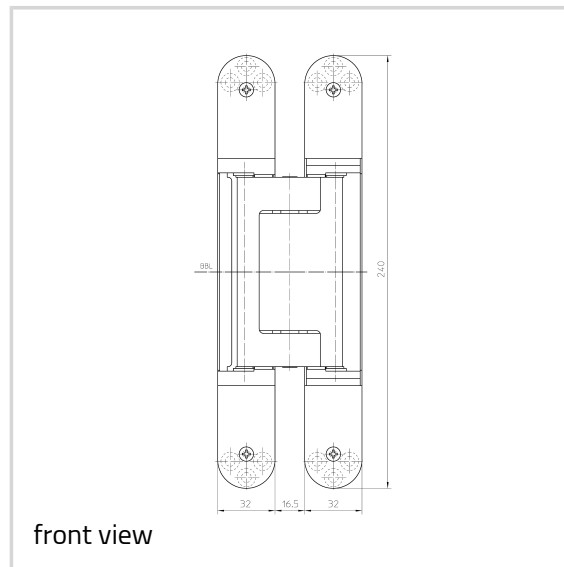
smoke resistance



soundproof

Item versions

Finish	polished brass (030)
OF-No.	030
VPE	pack of 2
DIN	DIN right and left hand
Article number	5 400696 0 03002
EAN	4015471127312
Finish	polished nickelled (038)



TECTUS - TE 640 3D

OF-No.	038
VPE	pack of 2
DIN	DIN right and left hand
Article number	5 400696 0 03802
EAN	4015471127336

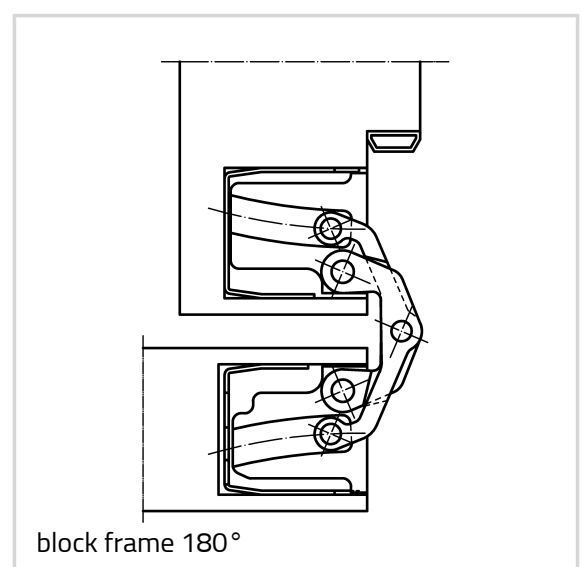
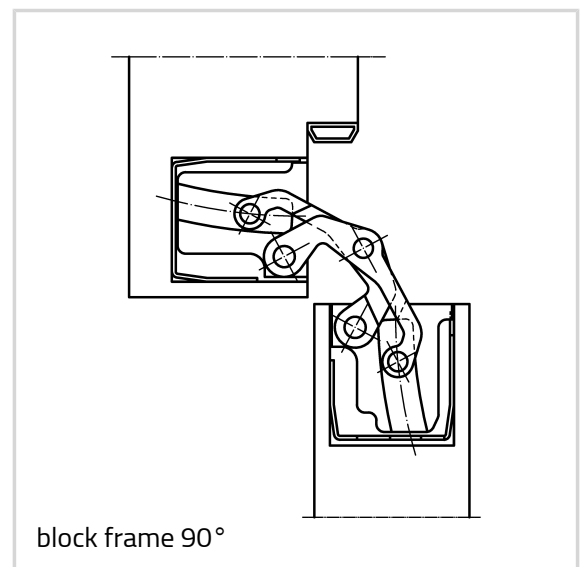
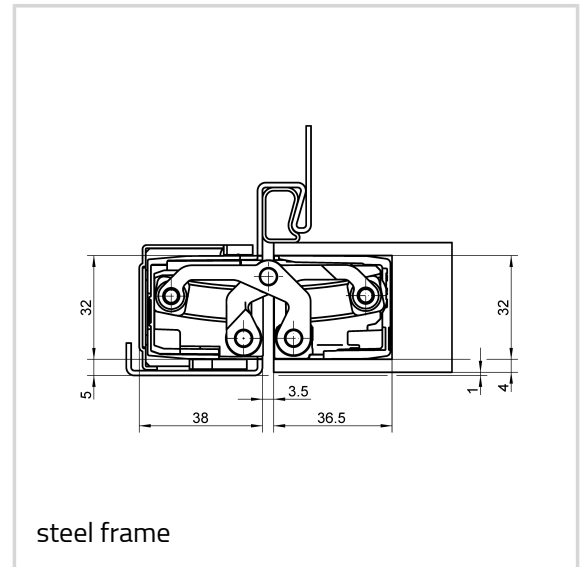
Finish	satin brassed (047)
OF-No.	47
VPE	pack of 2
DIN	DIN right and left hand
Article number	5 400696 0 04702
EAN	4015471128258

Finish	RAL 9016 Traffic White (070)
OF-No.	070
VPE	pack of 2
DIN	DIN right and left hand
Article number	5 400696 0 07002
EAN	4015471127411

Finish	RAL 9005 Matte Black (107)
OF-No.	107
VPE	pack of 2
DIN	DIN right and left hand
Article number	5 400696 0 10702
EAN	4015471128197

Finish	Satin Chrome Look (F1) (124)
OF-No.	124
VPE	pack of 2
DIN	DIN right and left hand
Article number	5 400696 0 12402
EAN	4015471128227

Finish	Satin Nickel Look (F2) (125)
OF-No.	125
VPE	pack of 2
DIN	DIN right and left hand
Article number	5 400696 0 12502
EAN	4015471128234



TECTUS - TE 640 3D

Finish	Stainless Steel Look (SSL) (126)
OF-No.	126
VPE	pack of 2
DIN	DIN right and left hand
Article number	5 400696 0 12602
EAN	4015471128456
Finish	Satin Nickel (144)
OF-No.	144
VPE	pack of 2
DIN	DIN right and left hand
Article number	5 400696 0 14402
EAN	4015471128302
Finish	Satin Chrome (146)
OF-No.	146
VPE	pack of 2
DIN	DIN right and left hand
Article number	5 400696 0 14602
EAN	4015471128296
Finish	Rustic Umber (156)
OF-No.	156
VPE	pack of 2
DIN	DIN right and left hand
Article number	5 400696 0 15602
EAN	4015471128470
Finish	Bronze Metallic (168)
OF-No.	168
VPE	pack of 2
DIN	DIN right and left hand
Article number	5 400696 0 16802
EAN	4015471128487
Finish	Bronze Finish (174)
OF-No.	174
VPE	pack of 2
DIN	DIN right and left hand
Article number	5 400696 0 17402
EAN	4015471128494
Finish	Bronze Finish light (175)

TECTUS - TE 640 3D

OF-No.	175
VPE	pack of 2
DIN	DIN right and left hand
Article number	5 400696 0 17502
EAN	4015471128500
Finish	Bronze Finish dark (176)
OF-No.	176
VPE	pack of 2
DIN	DIN right and left hand
Article number	5 400696 0 17602
EAN	4015471128517
Finish	coloured (079)
OF-No.	079
VPE	EUR-pallet
DIN	DIN right and left hand
Article number	5 400696 0 07975
EAN	4015471128166